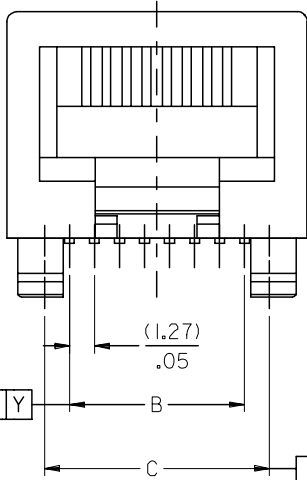
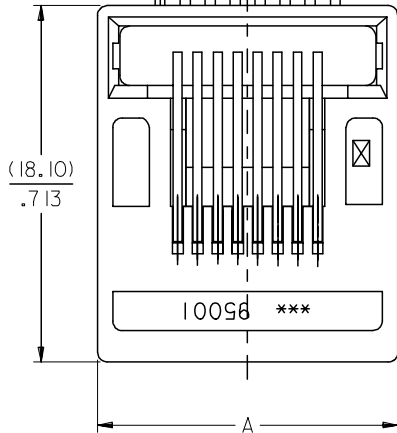


6 & 8 VERSIONS

8 VERSION SHOWN

CIRCUIT I
(8 CKTS VERSION)

CIRCUIT I
(6 CKTS VERSION)

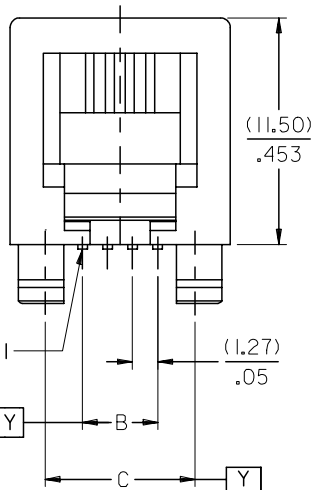
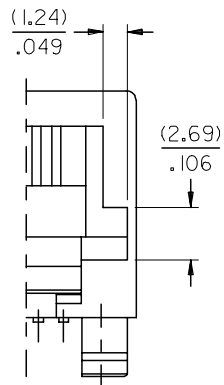


TYPE	POS. 4	POS. 6		POS. 8
	4 CKTS.	4 CKTS.	6 CKTS.	8 CKTS.
A	(11.18) / .440	(13.21) / .520	(13.21) / .520	(15.24) / .600
C	(7.62) / .300	(10.16) / .400	(10.16) / .400	(11.43) / .450
B	(3.81) / .150	(3.81) / .150	(6.35) / .250	(8.89) / .350

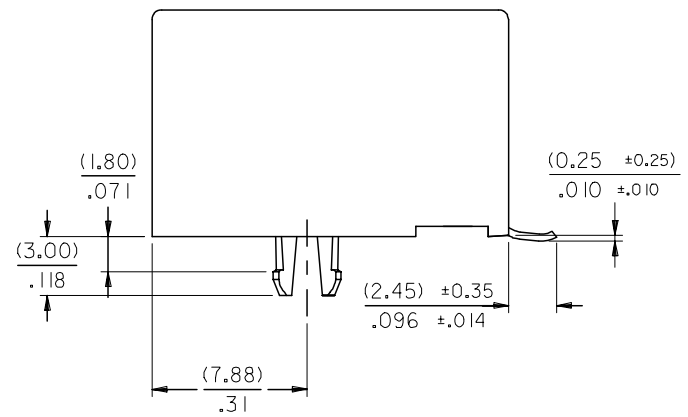
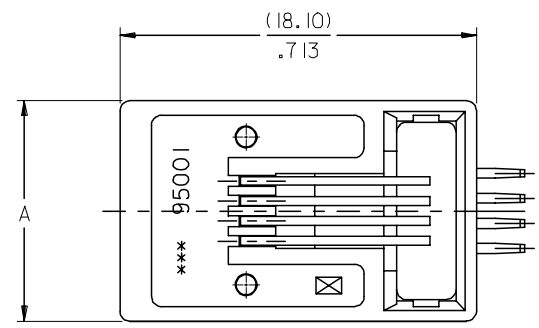
NOTES :

- 1- MATERIAL:
-HOUSING: LCP GLASS FILLED UL 94V-0, COLOUR BLACK.
- 2- SEE OTHER NOTES SHEET 1

OPTIONAL KEYING



4 VERSION ONLY



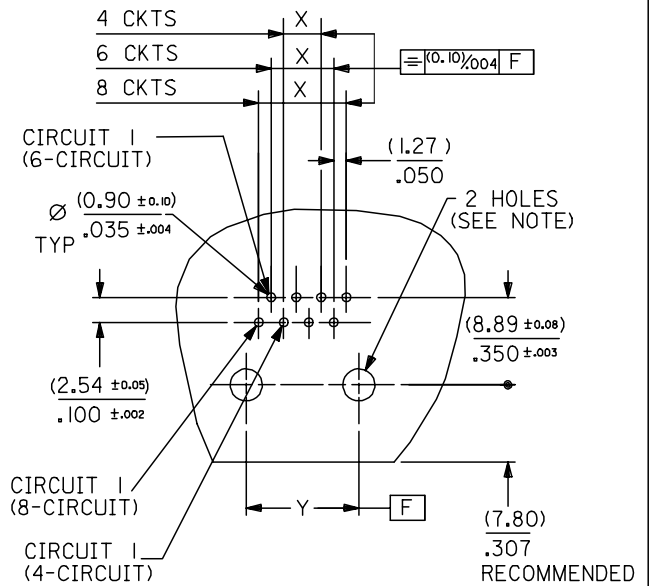
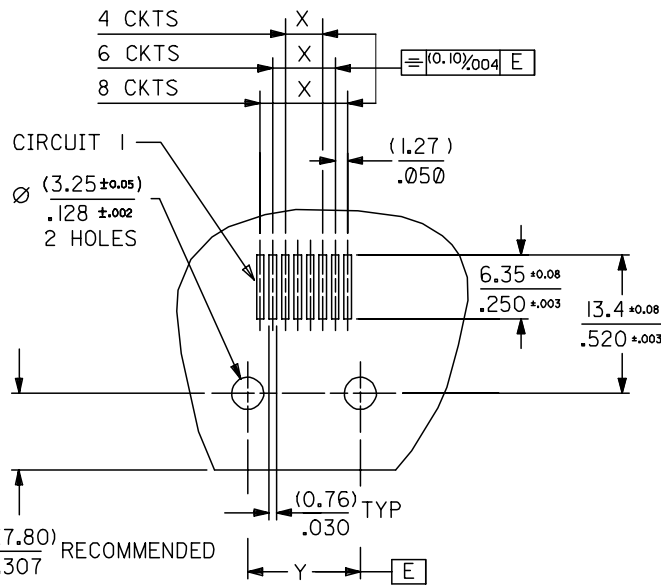
ADDED DIM TABLE EC NO: E2008-0176 DRWN:DBYRNES CHKD: APPR:EOMAHONY	QUALITY SYMBOLS ▽=0 ◁=0	GENERAL TOLERANCES (UNLESS SPECIFIED)	DIMENSION STYLE MM/IN	SCALE 4:1	DESIGN UNITS METRIC	THIRD ANGLE PROJECTION
	DESCRIPTION	4 PLACES ± --- ± --- 3 PLACES ± --- ± .006 2 PLACES ± 0.15 ± .010 1 PLACE ± 0.25 ± --- ANGULAR ± ---°	MM INCH	DRAWN BY DATE DBYRNES 2006/08/02	TITLE R/A LOW PROFILE PC JACK 4,6,8 CKTS SIZE SMT VERSION	
REV		DRAFT WHERE APPLICABLE MUST REMAIN WITHIN DIMENSIONS		APPROVED BY DATE EOMAHONY 2006/08/12	MATERIAL NO. SEE CHART SHEETS 4,5&6	SHEET NO. 2 OF 5
					MOLEX INCORPORATED	

TYPE \ DIM.	POS. 4	POS. 6		POS. 8
	4 CKTS.	4 CKTS.	6 CKTS.	8 CKTS.
Y $\pm 0.05 / \pm 0.02$	(7.62) / .300	(10.16) / .400	(10.16) / .400	(11.43) / .450
X $\pm 0.05 / + 0.02$	(3.81) / .150	(3.81) / .150	(6.35) / .250	(8.89) / .350

P.C.B. MOUNTING PATTERNS - SEE FROM COMPONENT SIDE

FOR SMT JACK TYPE (SURFACE MOUNT)

FOR STANDARD JACK TYPE (THROUGH HOLE)



NOTE:
 FOR CONVECTION SOLDERING: DIA 3.25±0.05 / .128±.002
 FOR WAVE SOLDERING: DIA 3.20±0.10 / .126±.004

REV	DESCRIPTION
B	MODIFIED TABLE
	EC NO: E2008-0176
	DRWN: DBYRNES 2007/10/05
	CHKD: 2007/10/05
	APPR: EOMAHONY 2007/10/05

QUALITY SYMBOLS
$\nabla = 0$
$\triangle = 0$

GENERAL TOLERANCES (UNLESS SPECIFIED)	
mm	INCH
4 PLACES $\pm .15$	$\pm .006$
3 PLACES $\pm .10$	$\pm .004$
2 PLACES ± 0.25	$\pm .010$
1 PLACE ± 0.50	$\pm .020$
ANGULAR $\pm .5^\circ$	
DRAFT WHERE APPLICABLE MUST REMAIN WITHIN DIMENSIONS	

DIMENSION STYLE	
MM/IN	
DRAWN BY	DATE
DBYRNES	2006/08/02
CHECKED BY	DATE
EOMAHONY	2006/08/12
APPROVED BY	DATE
EOMAHONY	2006/08/12
MATERIAL NO.	
SEE CHART SHEETS 4,5&6	

SCALE	DESIGN UNITS	THIRD ANGLE PROJECTION	
2:1	METRIC	\odot	\square
TITLE			
R/A LOW PROFILE JACK			
PC JACK 4,6,8 CKT SIZE			
SMT AND STANDARD VERSION			
MOLEX INCORPORATED			
DOCUMENT NO.		SHEET NO.	
SD-95501-001		3 OF 5	
THIS DRAWING CONTAINS INFORMATION THAT IS PROPRIETARY TO MOLEX INCORPORATED AND SHOULD NOT BE USED WITHOUT WRITTEN PERMISSION			

SPECIAL PACKAGING TUBE, SEE PACKAGING SPEC PK95001 SHEET 3

PART NO FOR JACK ASSEMBLY
THROUGH HOLE VERSION

PART NO FOR JACK ASSEMBLY
SMT VERSION

HOUSING SIZE	LOADED CONTACTS	PLATING	LCP GLASS FILED 94V0, COLOR BLACK.							
			NO KEY	TOOLED	KEY	TOOLED	TOOLED	TOOLED		
			NOT RIBBED		NOT RIBBED					
4	4	2	95501-2401	X						
6	4	2	95501-2601	X						
6	6	2	95501-2611	X						
8	8	2	95501-2821	X						

PLATING	LCP GLASS FILLED 94V0 COLOUR BLACK					
	NO KEY	TOOLED	KEY	TOOLED	NO KEY	TOOLED
	NOT RIBBED		NOT RIBBED		NOT RIBBED	
2	95501-6449	X				
2	95501-6649	X				
2	95501-6669	X				
2	95501-6889	X	95501-6890	X		

REMOVED GREY OPTIONS EC NO: E2007-0513 DRWN: DBYRNES 2007/01/08 CHKD: 2007/01/08 APPR: EOMAHONY 2007/01/09	QUALITY SYMBOLS ▼=0 ◻=0	GENERAL TOLERANCES (UNLESS SPECIFIED)	DIMENSION STYLE MM ONLY	SCALE ---	DESIGN UNITS METRIC	THIRD ANGLE PROJECTION																			
			<table border="1" style="width: 100%; border-collapse: collapse;"> <tr> <th></th> <th>mm</th> <th>INCH</th> </tr> <tr> <td>4 PLACES</td> <td>± ---</td> <td>± ---</td> </tr> <tr> <td>3 PLACES</td> <td>± ---</td> <td>± ---</td> </tr> <tr> <td>2 PLACES</td> <td>± ---</td> <td>± ---</td> </tr> <tr> <td>1 PLACE</td> <td>± ---</td> <td>± ---</td> </tr> <tr> <td>ANGULAR</td> <td colspan="2">± ---°</td> </tr> </table>		mm	INCH	4 PLACES	± ---	± ---	3 PLACES	± ---	± ---	2 PLACES	± ---	± ---	1 PLACE	± ---	± ---	ANGULAR	± ---°		DRAWN BY DBYRNES	DATE 2006/08/02	TITLE LOW PROFILE R/A JACK STANDARD AND SMT VERSION TUBE PACKAGING	
		mm	INCH																						
	4 PLACES	± ---	± ---																						
3 PLACES	± ---	± ---																							
2 PLACES	± ---	± ---																							
1 PLACE	± ---	± ---																							
ANGULAR	± ---°																								
		CHECKED BY EOMAHONY	DATE 2006/08/12																						
		APPROVED BY EOMAHONY	DATE 2006/08/12	MOLEX INCORPORATED																					
		DRAFT WHERE APPLICABLE MUST REMAIN WITHIN DIMENSIONS	SEE CHART	MATERIAL NO. SD-95501-001	DOCUMENT NO. SD-95501-001	SHEET NO. 5 OF 5																			